

WALL MOUNTED RANGE HOODS GUIDE
(A1-60)



FOR THE USER

1. Welcome

2. Your safety

Warning

Before installation

Product Use

Electrical Cord

3. Description

Main range hoods parts

Speed control

Electronic Button Control Panel

4. Installation

Mounting Law & Regulations

Mounting Points

Installation Example

Semi rigid Ducting

Butterfly flaps

5. Maintenance

Cleaning

Troubleshooting

1. Welcome

Thank you for purchasing a Vissari range hood .

To get the maximum out of this unit, please read through this operating manual before use.

The operating manual contains important information on the correct use and maintenance of the unit ,as well as important safety notes .This will ensure your personal safety and the lasting value of your range hood.

We trust that you will enjoy your new range hood.

Please always retain your proof of purchase to aid in any warranty queries.

This appliance and its packaging are produced by processes that minimize waste and respect the environment.

Please help us to continue this effort to protect the environment by using the appliance efficiently and dispose of the packaging in a responsible manner.

2 Your safety

WARNING

Please read this section thoroughly before attempting to operate the appliance. Inspect this product up on receipt.

Any damage or defects must be reported within 48 hours, or on claim will be recognised.

Do not install this appliance if you find it damaged.

If this product is installed damaged, the supplier, nor the retailer, will be responsible

for the costs associated with the repair, replacement, removal or re-installation of the appliances.

1. There shall be adequate ventilation in the room when the range hood is used at the same time as appliances burning gas or other fuels.
2. There is a fire risk if cleaning is not carried out in accordance with the instructions.
3. Do not flame under the range hood .This will damage the rangehood and void the warranty.
4. This appliance is not intended for use by person(including children) with reduced physical,sensory or mental capabilities, or lack of experience and /or knowledge.Unless the person has been given supervision or instruction concerning the use of the appliance by a person responsible for their safety.Children should be supervised to ensure that they do not play with the appliance.
5. Air exhaust must be installed in accordance with local laws.
6. Accessible parts may become hot when used with cooking appliances.

Before installation

It's dangerous to modify any part of this appliance.Modification of any kind will immediately void the warranty.

Ensure that the location in which this appliance is installed has good and permanent ventilation.

Please consult local laws and install in accordance.

Use an electrical connector with earth that is correct for your location.

Check that the voltage in your area correspond to the appliance as indicated on the rating label.

Product use

This product is designed for household use and should not be used for commercial applications. After use ,always ensure that all controls are in the “OFF” position.

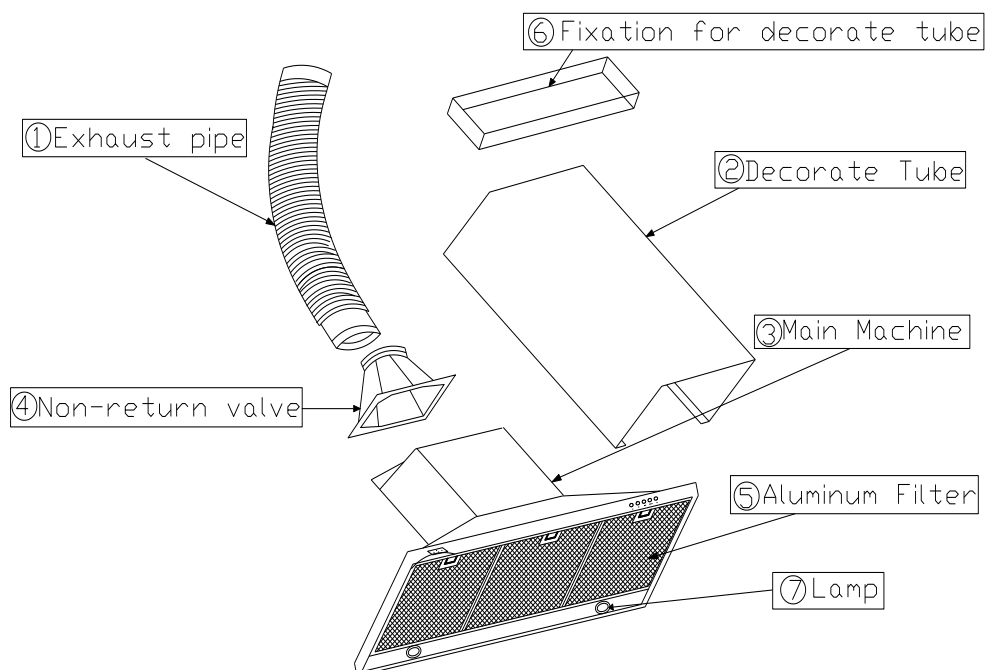
When frying with a gas flame,take particular care not to allow the oil or grease in the pan to catch fire.

Electrical Cord

Ensure the supply cord is not exposed to heat,chemicals or sharp objects.If the supply cord is damaged,it must be replaced by the manufacturer,service agent or a similarly qualified person in order to avoid a hazard.

3.Description

Main Range hood and island parts



Speed Control

The undermount is equipped with a 3speed mechanical/electronic control.

Speed control usage suggestions:

- Low speed for simmering.
- Medium speed for light cooking.
- High speed for heavy frying or heavy cooking.

Electronic Button Control Panel



①

②

③

④

⑤

① : Turn on/off the lamp

② :High speed setting

③ :Medium speed setting

④ :Low speed setting

⑤ : Turn on/off

4.Installation

Mounting Laws & Regulations

The minimum distance between the bench top and the lowest part of the range hood must not be less than:

- For indoor kitchen area:

650 mm(Electric Cooktop)

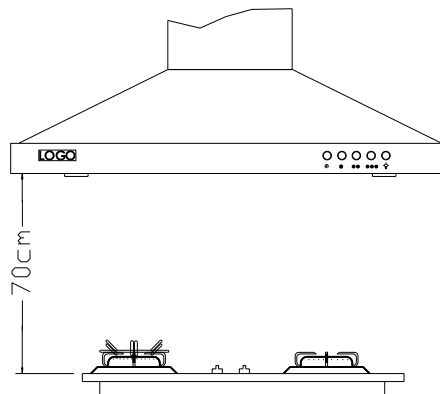
750 mm(Gas Cooktop)

Use suitable screws to mount the appliance on a secure surface.

The location of the installation must have permanent openings for ventilation.

Regulations concerning the expelling of air have to be fulfilled.

It is strongly recommended that the range hood be installed centrally over the exhaust air from cooking.



Optional install example

Step 1

Use St 2*40 screws to install hoods body on the wall.

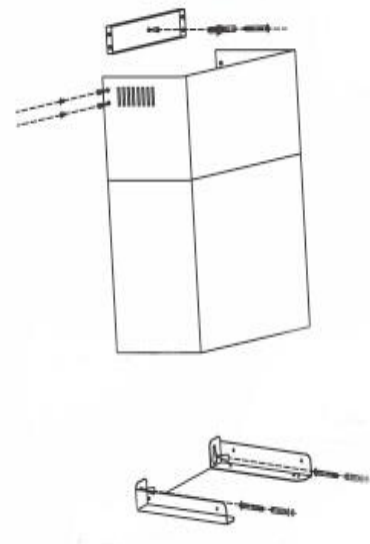
Step 2

Use St 1*40 screws to install bracket on the wall.

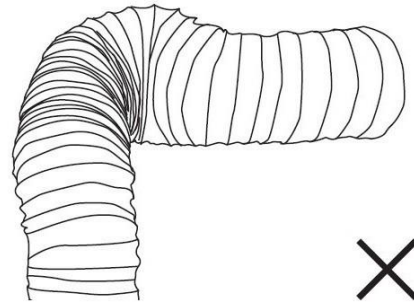
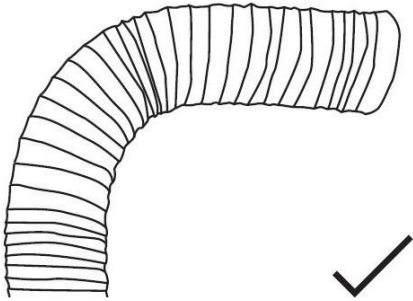
Step 3

Use 4pc of M4*8 screws to connect chimney and

bracket.



Semi rigid ducting



For internal motor units ,please install Semi rigid ducting with the least amount of bends possible, maximum length of Semi rigid ducting should be no longer than 5 meters.

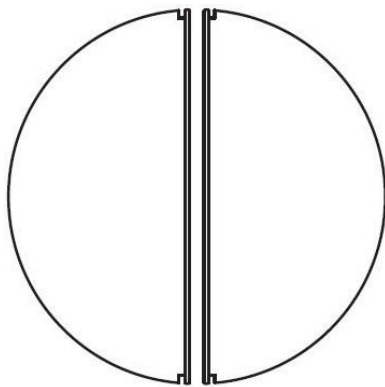
Butterfly flaps(supplied with some models)

Butterfly flaps do not come with every model.

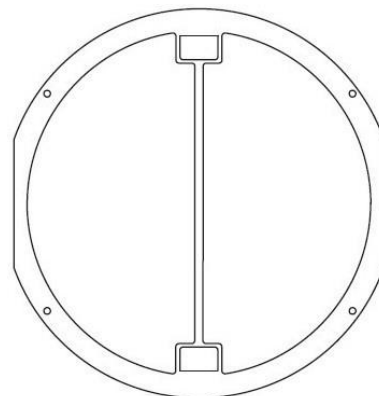
Should your butterfly flags get stuck, this is not a warranty issue.

If installing butterfly flags ,please ensure that you insert the butterfly flags onto the reducers ,which are attached to the top of the motor outlet before installation.

Please make sure when Semi rigid ducting is installed ,that it doesn't impede the butterfly flaps from operation.

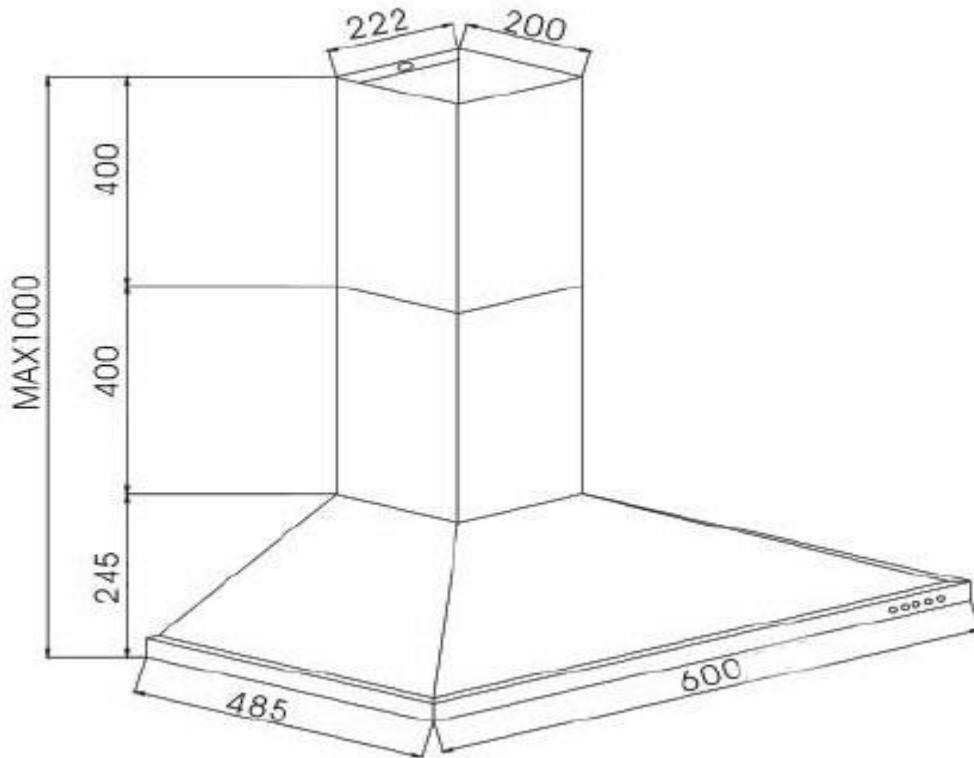


butterfly flaps



butterfly flaps base

6. Maintenance



Cleaning and Maintenance

Surfaces

Wash with warm soapy water and a soft sponge. Never use abrasive detergent, scouring pads, steel wool or solvents on any part of this appliance. Always make sure to dry the appliance after cleaning and never leave wet, as this will cause irreparable damage.

Filters

For this appliance to function effectively, regular maintenance is a must.

Metal cassette filter holds the dust and the oil in the filter.

Clogged filter restrict airflow and may cause the motor to overheat and become a

fire hazard.

Filter should be cleaned every 3~6 weeks or after 60 hours of use.

Wash in the dishwashers on a hot cycle(60°C)or soak the panels in a degreasing agent for an hour, then rinse off and dry before re-installing.

Warning: Filters may be washed in the dishwasher. Colour of the metal mesh filters may change after several washes. This is normal and it is not necessary to change the filters.

Trouble Shooting

If the product does not work:

Before you contact the technical service department, make sure that the product is plugged in, the electric fuse is in correctly and electric wiring is connected.(Fuses can be purchased from your local electrical dealer or hardware store).Weak air suction may be caused by butterfly flaps remaining closed. Do not take any action that will damage the product.