



# Vissari Rangehoods

SILENT INNOVATION

## VISSARI SUPERIOR SERIES SE INLINE FAN

INSTALLATION & OPERATING MANUAL



# CONTENTS

---

- 03** Introduction
- 04** Models
- 04** Installation
- 05** Installation Soffit Option - VSD200
- 06** Installation Twin Soffit Option - VSdT150
- 07** Installation Wall Option - VWD200
- 08** Installation Roof Option - VRD200
- 09** Order Codes
- 10** Parts List
- 12** Wiring Diagram & Dimensions
- 13** Performance Parameters
- 14** Rating Labels
- 15** Warranty

# INTRODUCTION

---

## **Thank you for choosing a Vissari Superior Series Rangehood.**

You are moments away from your silent cooking experience.

We are a New Zealand owned and operated rangehood supply company now offering our Vissari Superior Series Range.

Why Superior...

## **Superior Silence**

Unlike any standard onboard type rangehood, we have removed the fan/motor from the actual rangehood at kitchen level, a powerful inline fan is installed in your ceiling space away from you and your kitchen area. This creates a quiet and pleasant cooking experience for you and your family.

## **Superior Airflow**

With the removal of noise from your kitchen we have certainly not reduced any of our rangehoods airflow performance, in fact we have enhanced it.

Our remote inline fans come in two excellent airflow sizes 1030m<sup>3</sup>/hr & 1800m<sup>3</sup>/hr. We have ensured that whichever your cooking style you will be more than satisfied with these powerful extraction levels.

Superior silence and superior airflow, let your Vissari cooking experience begin.

## **Superior Style**

With the following Superior series rangehood models to choose from we are confident that your rangehood design and style preference are covered.

# MODELS

---

## Vissari Superior Series Rangehood models

VISBCS900/SS

VISBC900/SS

VISC900/SS

VISC900B/SS

VISPP750D/SS

VISPP900S/SS

## Inline Fan options – Steam Eater

SE1030m<sup>3</sup>/hr

SE1800m<sup>3</sup>/hr

# INSTALLATION

---

Please check your Vissari rangehood and inline fan motor for any damages prior to installation, do not install any damaged rangehood or inline fan motor.

Please contact Vissari Rangehoods in the event of a damaged rangehood or inline fan motor at installation time.

Vissari superior series rangehoods must be installed to the specifications below using only Vissari ducting and ducting components. Vissari is not responsible for any substandard installation that is carried out differently to the installation guidelines below.

Please contact Vissari for a list of recommended trained installers.

# INSTALLATION SOFFIT OPTION

## VSD200 - 200mm Ducting

Carefully unpack your Vissari inline fan motor, either the 1030m<sup>3</sup>/hr or 1800m<sup>3</sup>/hr.

Connect the two reducer/expander fittings (315mm/200mm or 250mm/200mm) to the inline fan motor, please note the inline fans airflow direction.

Connect 6m x 200mm flexible ducting to the rangehood (air in-take) end of the inline fan.

Connect 3m x 200mm semi rigid ducting to the (air out-take) end of the inline fan.

Choose a suitable inline fan hanging installation position within your accessible ceiling area, recommended and optimum installations use the whole 6m x 200mm flexible ducting length between the inline fan motor and the actual rangehood at kitchen level.

**The inline fan motor must not be installed in a position where it is touching any other form of timber, ceiling, or pipework etc. The inline fan motor must hang freely to absorb all operating fan motor noise.**

Screw a threaded eye screw to a suitable roof truss or specially installed solid timber support position.

Thread the adjustable pull tie down through the two hanging points on the inline fan motor.

While supporting the inline fan, now thread the pull tie down through the pre-installed hanging eyelet, adjust to the finished suitable hanging height.

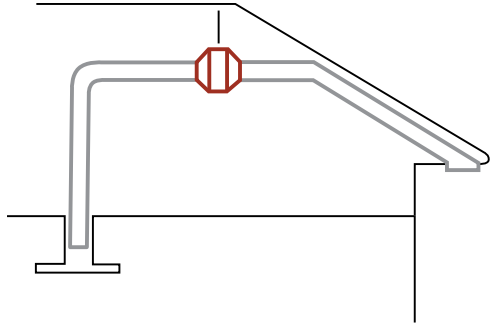
Run the 200mm semi rigid ducting into the soffit area, cut out a 210mm hole in the soffit and connect the semi rigid ducting to the 200mm soffit grill. **Do not reduce ducting size.**

Run the 6m x 200mm flexible ducting back to the Vissari rangehood at kitchen level, connect neatly using cable ties and tape. **Do not reduce ducting size.**

Run the inline fans power cable back to the Vissari rangehood at kitchen level and plug into the female plug.

Plug in your Vissari rangehood to the power supply at kitchen level, test the rangehood and inline fan motor.

Warning - your quiet cooking experience starts here.



# INSTALLATION TWIN SOFFIT OPTION

## VSDT150 - 150mm Ducting

Carefully unpack your Vissari inline fan motor, either the 1030m<sup>3</sup>/hr or 1800m<sup>3</sup>/hr.

Connect the two reducer/expander fittings (315mm/200mm or 250mm/200mm) to the inline fan motor, please note inline fans airflow direction.

Connect 6m x 200mm flexible ducting to the rangehood (air in-take) end of the inline fan.

Connect 3m x 200mm semi rigid ducting to the (air out-take) end of the inline fan.

Choose a suitable inline fan hanging installation position within your accessible ceiling area, recommended and optimum installations use the whole 6m x 200mm flexible ducting length between the inline fan motor and the actual rangehood at kitchen level.

**The inline fan motor must not be installed in a position where it is touching any other form of timber, ceiling, or pipework etc. The inline fan motor must hang freely to absorb all operating fan motor noise.**

Screw a threaded eye screw to a suitable roof truss or specially installed solid timber support position.

Thread the adjustable pull tie down through the two hanging points on the inline fan motor.

While supporting the inline fan, now thread the pull tie down through the pre-installed hanging eyelet, adjust to the finished suitable hanging height.

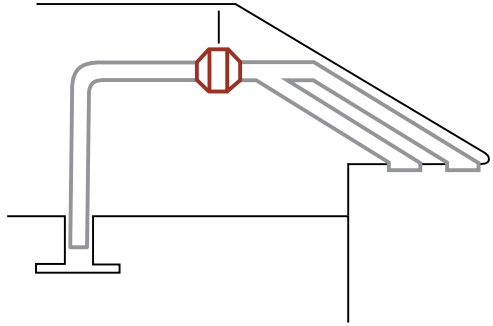
Run the twin 150mm semi rigid ducts into the soffit area, cut out two 160mm holes in the soffit and connect the semi rigid ducting to the 150mm soffit grills. **Do not reduce ducting size.**

Run the 6m x 200mm flexible ducting back to the Vissari rangehood at kitchen level, connect neatly using cable ties and tape. **Do not reduce ducting size.**

Run the inline fans power cable back to the Vissari rangehood at kitchen level and plug into the female plug.

Plug in your Vissari rangehood to the power supply at kitchen level, test the rangehood and inline fan motor.

Warning - your quiet cooking experience starts here.



# INSTALLATION WALL OPTION

## VWD200 - 200mm Ducting

Carefully unpack your Vissari inline fan motor, either the 1030m<sup>3</sup>/hr or 1800m<sup>3</sup>/hr.

Connect the two reducer/expander fittings (315mm/200mm or 250mm/200mm) to the inline fan motor, please note inline fan airflow direction.

Connect 6m x 200mm flexible ducting to the rangehood (air in-take) end of the inline fan.

Connect 3m x 200mm semi rigid ducting to the (air out-take) end of the inline fan.

Choose a suitable inline fan hanging installation position within your accessible ceiling area, recommended and optimum installations use the whole 6m x 200mm flexible ducting length between the inline fan motor and the actual rangehood at kitchen level.

**The inline fan motor must not be installed in a position where it is touching any other form of timber, ceiling, or pipework etc. The inline fan motor must hang freely to absorb all operating fan motor noise.**

Screw a threaded eye screw to a suitable roof truss or specially installed solid timber support position.

Thread the adjustable pull tie down through the two hanging points on the inline fan motor.

9 While supporting the inline fan, now thread the pull tie down through the pre-installed hanging eyelet, adjust to the finished suitable hanging height.

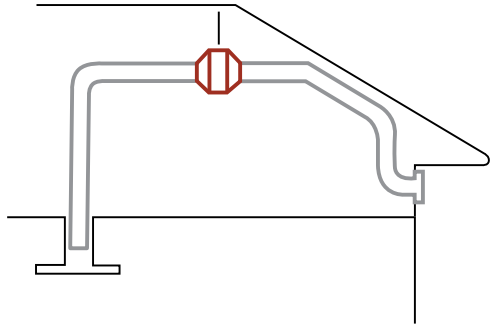
Run the 200mm semi rigid ducting to the chosen wall vent location, cut out a 210mm hole in the wall cladding, install a 200mm trade seal to the building wrap to seal and protect your homes weatherproof envelope when and where possible, and connect the semi rigid ducting to the 200mm wall vent. **Do not reduce ducting size.**

Run the 6m x 200mm flexible ducting back to the Vissari rangehood at kitchen level, connect neatly using cable ties and tape. **Do not reduce ducting size.**

Run the inline fans power cable back to the Vissari rangehood at kitchen level and plug into the female plug.

Plug in your Vissari rangehood to the power supply at kitchen level, test the rangehood and inline fan motor.

Warning - your quiet cooking experience starts here.



# INSTALLATION ROOF OPTION

## VRD200 - 200mm Ducting

Carefully unpack your Vissari inline fan motor, either the 1030m<sup>3</sup>/hr or 1800m<sup>3</sup>/hr.

Connect the two reducer/expander fittings (315mm/200mm or 250mm/200mm) to the inline fan motor, please note inline fan airflow direction.

Connect 6m x 200mm flexible ducting to the rangehood (air in-take) end of the inline fan.

Connect 3m x 200mm semi rigid ducting to the (air out-take) end of the inline fan.

Choose a suitable inline fan hanging installation position within your accessible ceiling area, recommended and optimum installations use the whole 6m x 200mm flexible ducting length between the inline fan motor and the actual rangehood at kitchen level.

**The inline fan motor must not be installed in a position where it is touching any other form of timber, ceiling, or pipework etc. The inline fan motor must hang freely to absorb all operating fan motor noise.**

Screw a threaded eye screw to a suitable roof truss or specially installed solid timber support position.

Thread the adjustable pull tie down through the two hanging points on the inline fan motor.

While supporting the inline fan, now thread the pull tie down through the pre-installed hanging eyelet, adjust to the finished suitable hanging height.

Run the 200mm semi rigid ducting to the chosen roof vent location. **Do not reduce ducting size.**

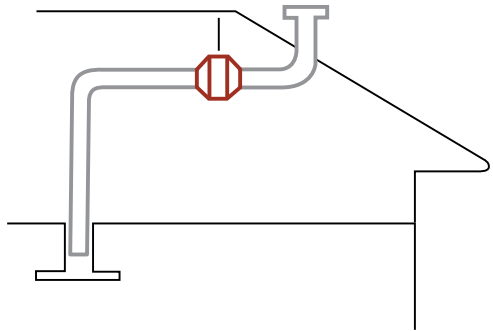
Penetrate and flash the roof in accordance with all council regulations, we advise you engage a plumbing or roofing professional to ensure all installation standards are met.

Run the 6m x 200mm flexible ducting back to the Vissari rangehood at kitchen level, connect neatly using cable ties and tape. **Do not reduce ducting size.**

Run the inline fans power cable back to the Vissari rangehood at kitchen level and plug into the female plug.

Plug in your Vissari rangehood to the power supply at kitchen level, test the rangehood and inline fan motor.

Warning - your quiet cooking experience starts here.





# ORDER CODES

---

<b>VSD200 – SE1030</b>	Vissari Soffit Duct 200mm
<b>VSD200 – SE1800</b>	Vissari Soffit Duct 200mm
<b>VSDT150 – SE1030</b>	Vissari Soffit Duct Twin 150mm
<b>VSDT150 – SE1800</b>	Vissari Soffit Duct Twin 150mm
<b>VWD200 – SE1030</b>	Vissari Wall Duct 200mm
<b>VWD200 – SE1800</b>	Vissari Wall Duct 200mm
<b>VRD200 – SE1030</b>	Vissari Roof Duct 200mm
<b>VRD200 – SE1800</b>	Vissari Roof Duct 200mm

# PARTS LIST

---

## VSD200 - SE1030 / SE1800

- 1 x Vissari Steam Eater Inline Fan 1030m<sup>3</sup>/hr
- 2 x 250mm/200mm Galvanised Reducer Expander
- 1 x Pull Tie Down
- 1 x Thread Eye Screw
- 1 x 6m x 200mm Flexi Ducting
- 1 x 3m x 200mm Semi Rigid Ducting
- 1 x 200mm Soffit Grill



## VSDT150 - SE1030 / SE1800

- 1 x Vissari Steam Eater Inline Fan 1030m<sup>3</sup>/hr
- 2 x 250mm/200mm Galvanised Reducer Expander
- 1 x Pull Tie Down
- 1 x Thread Eye Screw
- 1 x 6m x 200mm Flexi Ducting
- 1 x 3m x 200mm Semi Rigid Ducting
- 2 x 150mm Soffit Grills
- 2 x 150mm 2.5m Semi Rigid Ducts
- 1 x 200mm x 150mm x 150mm Y Branch Junction



## VWD200 - SE1030 / SE1800

- 1 x Vissari Steam Eater Inline Fan 1030m<sup>3</sup>/hr
- 2 x 250mm/200mm Galvanised Reducer Expander
- 1 x Pull Tie Down
- 1 x Thread Eye Screw
- 1 x 6m x 200mm Flexi Ducting
- 1 x 3m x 200mm Semi Rigid Ducting
- 1 x 200mm Weatherproof Wall Vent



## VRD200 - SE1030 / SE1800

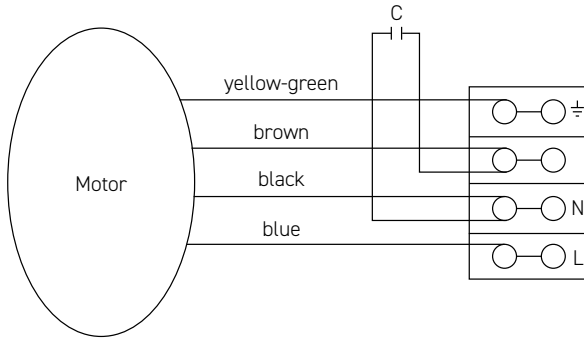
- 1 x Vissari Steam Eater Inline Fan 1030m<sup>3</sup>/hr
- 2 x 250mm/200mm Galvanised Reducer Expander
- 1 x Pull Tie Down
- 1 x Thread Eye Screw
- 1 x 6m x 200mm Flexi Ducting
- 1 x 3m x 200mm Semi Rigid Ducting
- Actual roof flashing is special order or supplied by installer



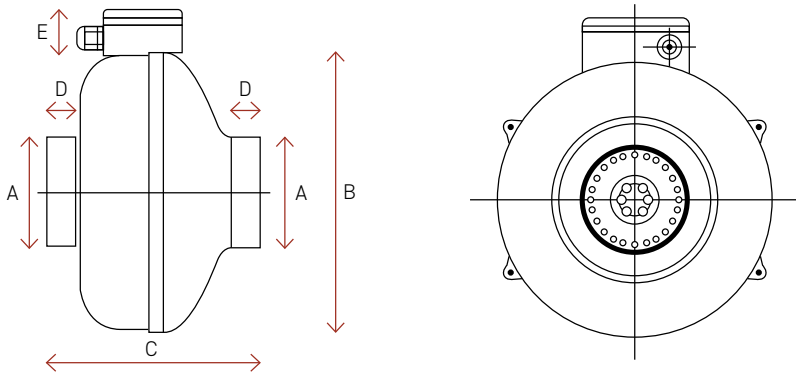
# WIRING DIAGRAM & DIMENSIONS

## Schematic Wiring Diagram

Single-speed centrifugal Circular Duct Fan wiring



## External Dimensions



Model	SE1030	SE1800
A	250	315
B	333	402
C	206	258
D	27	25
E	42	42

# PERFORMANCE PARAMETERS

---

Model	SE1030	SE1800
Voltage (V-)	220-230	220-230
Frequency (Hz)	50	50
Airflow (CMH)	1030	1800
Static Pressure (pa)	560	700
Noise (dB)	68	70
Speed (r.p.m)	2410	2490
Power (W)	190	280
Current (A)	0.86	1.22
Weight (kg)	5.5	6.8

# RATING LABELS

---

## Vissari Superior Series Inline Fan **SE1800**

Model: DJT31U - 66M

Voltage: 220 - 240v - 50Hz

Air Movement: 1800m<sup>3</sup>

Rated Power: 280W



## Vissari Superior Series Inline Fan **SE1030**

Model: DJT25U - 66M

Voltage: 220 - 240v - 50Hz

Air Movement: 1030m<sup>3</sup>

Rated Power: 190W



# WARRANTY

---

## Vissari Rangehoods Superior Series Warranty

This Warranty is provided by Rangehood Solutions Ltd – Distributor for Vissari Rangehoods.

This warranty covers the following Vissari Superior Series Rangehoods and SE inline fans used and installed in domestic and household applications.

VISBCS900/SS	VISBC900/SS	VISC900/SS
VISC900B/SS	VISPP750D/SS	VISPP900S/SS
SE1030	SE1800	

Vissari Superior Series rangehoods are covered with a 5 year warranty from the original date of purchase, this is applicable for only the original purchaser.

Vissari Superior Series inline fans are covered with a 10 year warranty from the original date of purchase, this is applicable for only the original purchaser.

This warranty applies in New Zealand only.

The customer must produce the original invoice to make any warranty claim.

The inline fan warranty is a changeover warranty, the purchaser is responsible for any associated change over labour costs.

### Warranty Exclusions

The warranty does not apply were, in Vissari Rangehoods opinion:

The product has been repaired or serviced by an unauthorised appliance service agent.

The Rangehood and was not installed in accordance with our instructions.

The Rangehood/Product was not cared for in accordance with our instructions.

The defect is caused by misuse, wear and tear, dirt, fire or accidental damage.

LED Light replacements are not covered.

Service agents call out costs, if the rangehood is found to be in normal working order.

The customer must provide the original invoice as proof of the original purchase date.

Costs incurred on installation or removal of a product, or any reinstallation or any associated costs are not covered by this warranty.

The repairs relate to the replacement of consumable parts such as fuses in plugs.

Damage of defects have not been reported within 48 hours of delivery, otherwise no claim will be recognised.

The breakdown occurs after the expiry of the warranty period.

### How to make a claim

You may make a claim under this warranty by emailing us at: [info@rangehoodsolutions.co.nz](mailto:info@rangehoodsolutions.co.nz)  
Please email a copy of your original invoice as proof of purchase.



**SHOWROOMS**

Auckland - East Tamaki

Bay Of Plenty - Mount Maunganui

Waikato - Te Rapa

P 0800 RANGEHOODS / E [info@rangehoodsolutions.co.nz](mailto:info@rangehoodsolutions.co.nz) / [www.vissari.co.nz](http://www.vissari.co.nz)